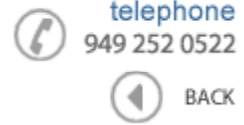




Data Sheet



Product Category: RF SAW Filter

Part Number	Package	Application	Last Modified
803-RF448.0M-D	3.8 x 3.8 SMD	Wireless Communication	Jan. 01, 2007

TYPE :
448.0 MHz RF SAW Filter



PART NUMBER :
803-RF448.0M-D

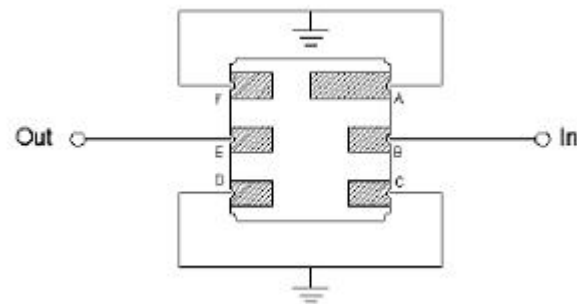
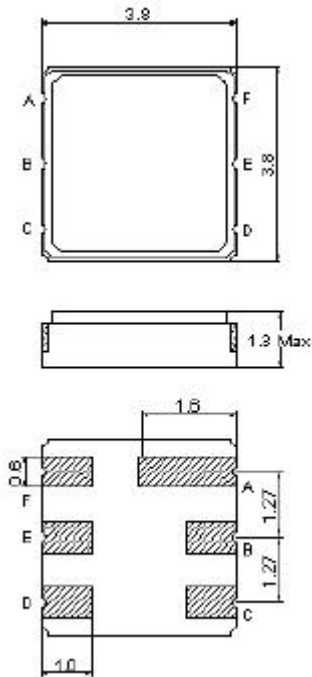
OPERATING CONDITIONS / ELECTRICAL CHARACTERISTICS

PARAMETERS	Condition	Minimum	Typical	Maximum	Units
Center Frequency (Fo)	-	-	448.0	-	MHz
Insertion Loss	440.0 ~ 456.0 MHz	-	2.8	4.0	dB
Ripple	440.0 ~ 456.0 MHz	-	0.7	1.5	dB
Stopband Attenuation	Fo -200.0 ~ Fo -42.8 MHz	45.0	50.0	-	dB
	Fo +42.8 ~ Fo +200.0 MHz	50.0	55.0	-	
Terminating Impedance	-	-	50/0	-	ohm/pF

* Custom SAW RF Filters available. Contact Oscilent for assistance.

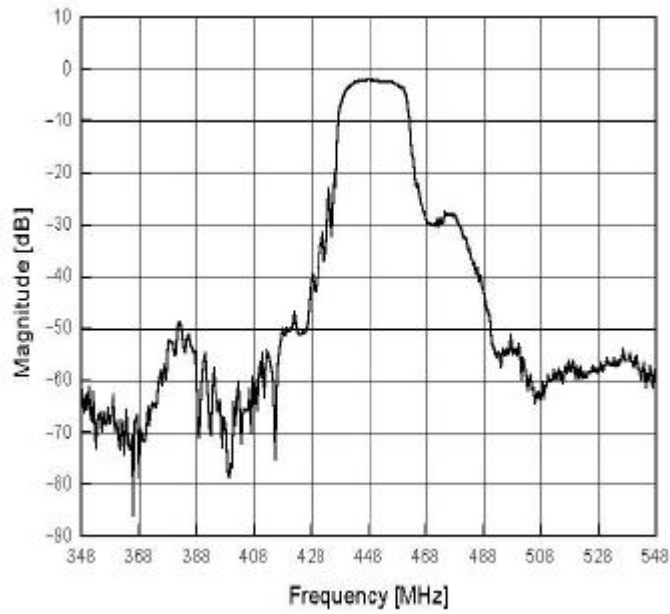
Package Outline

Test Fixture



B : In
E : Out
A, C, D, F : Ground

Frequency Reponse



Oscilent Corporation - CALL **949.252.0522**
18195 East McDermott Street . Building D . Irvine . CA 92614 . USA
Fax: 949.252.0599 . E-Mail: Sales@Oscilent.com

Part No.: 803-RF448.0M-D